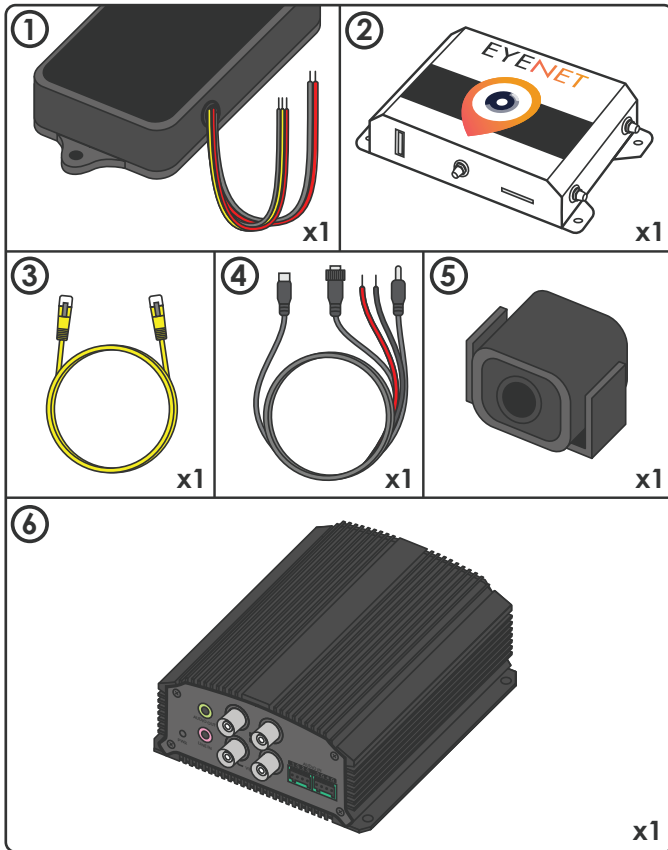
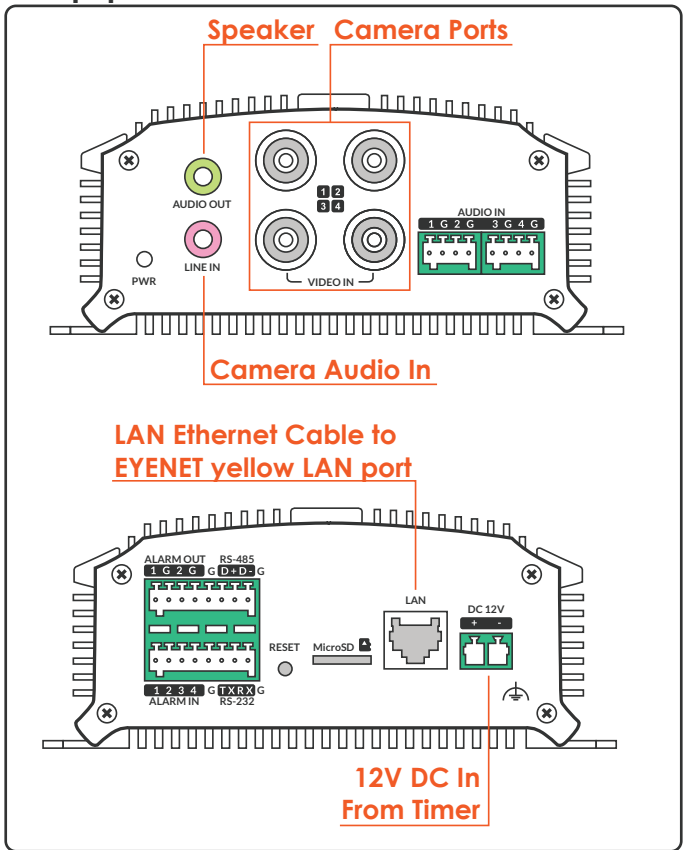


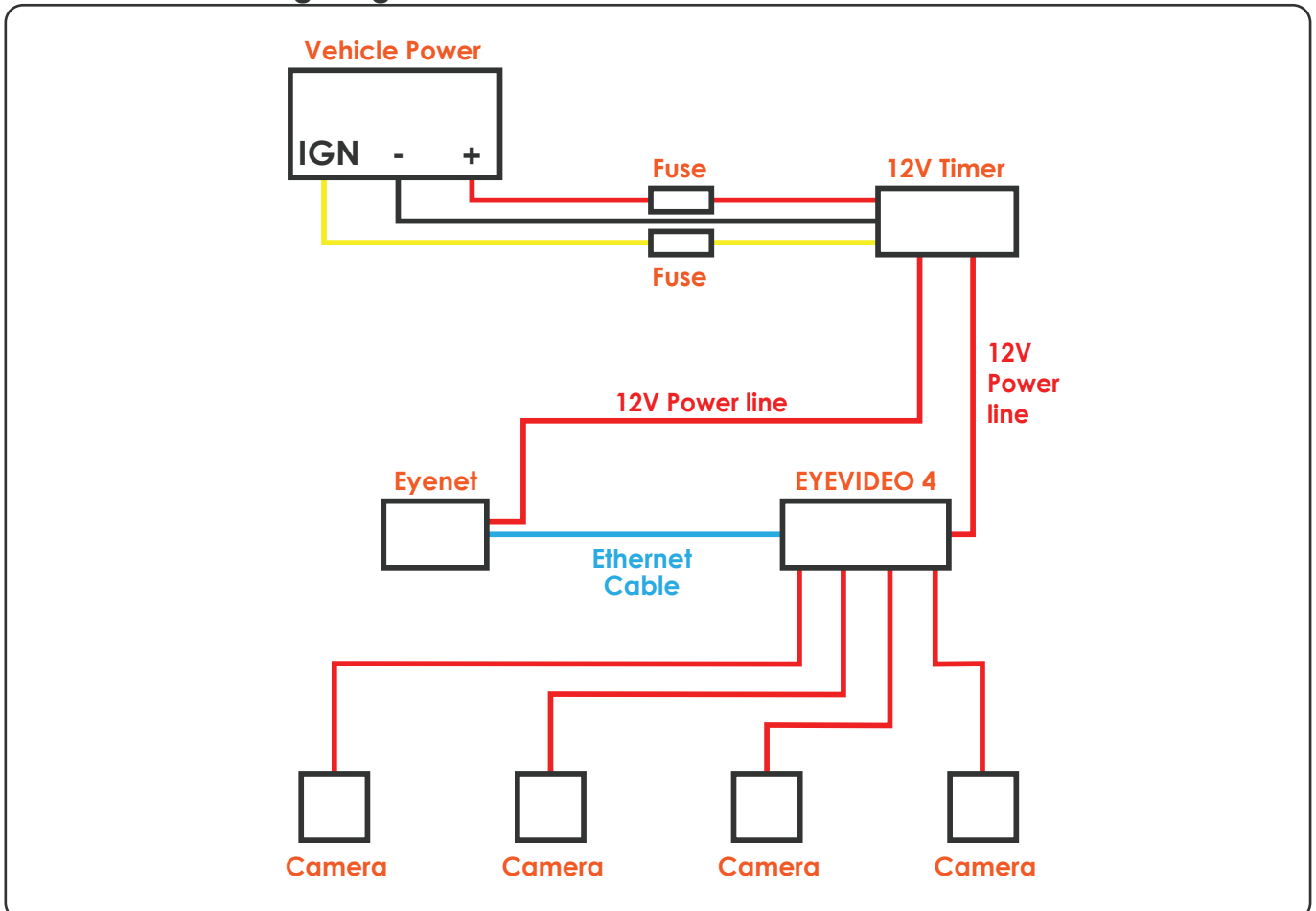
A. Parts Reference



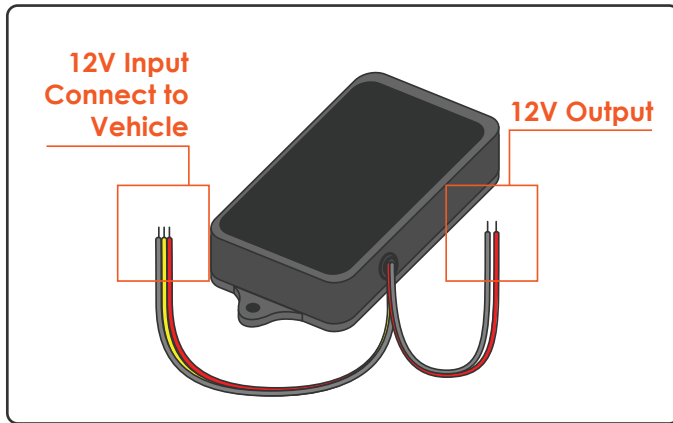
B. Equipment Guide



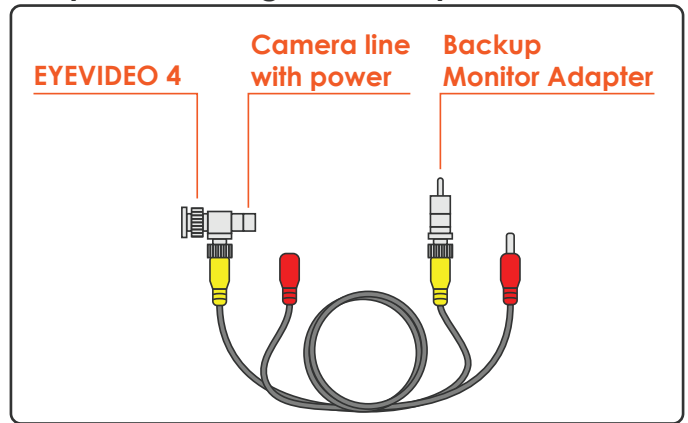
C. EYEVIDE 4 Wiring Diagram



D. Timer/Power Bundle



E. Optional Wiring for Backup Monitor



A. Parts Reference

① **Ignition Timer/Power Bundle:** Provides power to EYENET, EYEVIDE 4 and Cameras for three hours after the vehicle's ignition is turned off by default. The timer can be preconfigured to provide power for up to 24 hours after the vehicle's ignition is turned off.

There are two sets of wires coming out of the Timer:

a. Set of Three

- Red - 12V Input. Connects to Vehicle Battery
- Black - Connects to Ground
- Yellow - Connects to Vehicle Ignition

b. Set of Two

- Red - 12V Output. Powers EYENET, EYEVIDE 4 & Cameras
- Black - Provides Ground for devices

② **EYENET:** EYERIDE WiFi router. Provides internet connectivity for EYEVIDE 4.

③ **Ethernet Cable:** Connects EYEVIDE 4 to EYENET for internet connectivity.

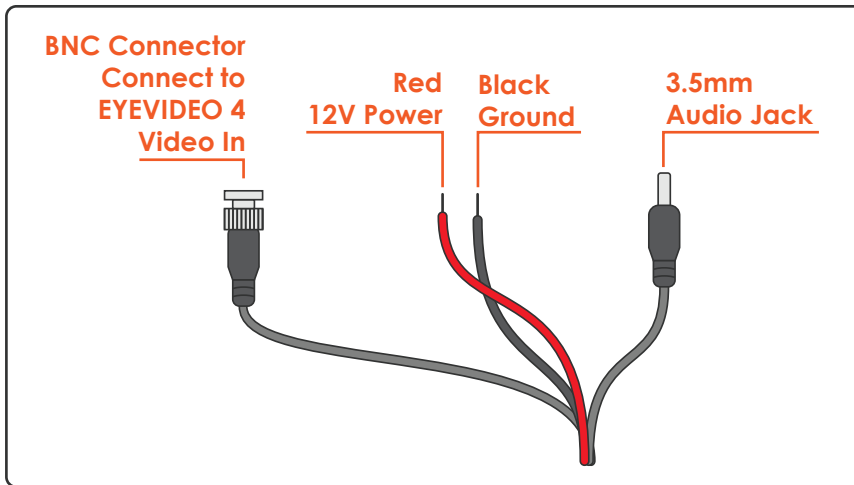
④ **Camera Cable:** Coaxial cable connects camera to EYEVIDE 4 via box connector. May also provide audio.

⑤ **Camera:** Camera allows real time streaming and recording. Camera should be mounted in a secure location in or around the vehicle out of direct sunlight. Cameras designed for indoor use should only be mounted inside the vehicle. Use necessary measures to ensure there is no potential for water/rain damage. AC lines should be avoided to prevent condensation.

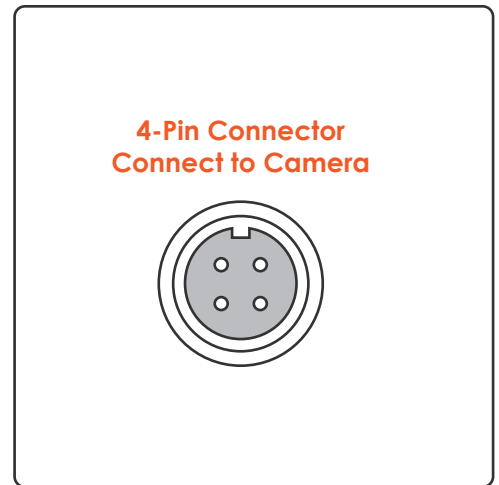
⑥ **EYEVIDE 4:** Cameras store footage locally on EYEVIDE 4 video hub. When internet connectivity is available through the EYENET, the live streams, uploads and stores footage on the EYERIDE FMS cloud platform.

Camera Cable Connectors

EYEVIDE 4 Connectors



Camera Connector



Each Camera Cable has the following connectors.

On the Camera side:

- 4 Pin Connector Connects to Camera

On the EYEVIDE 4 side:

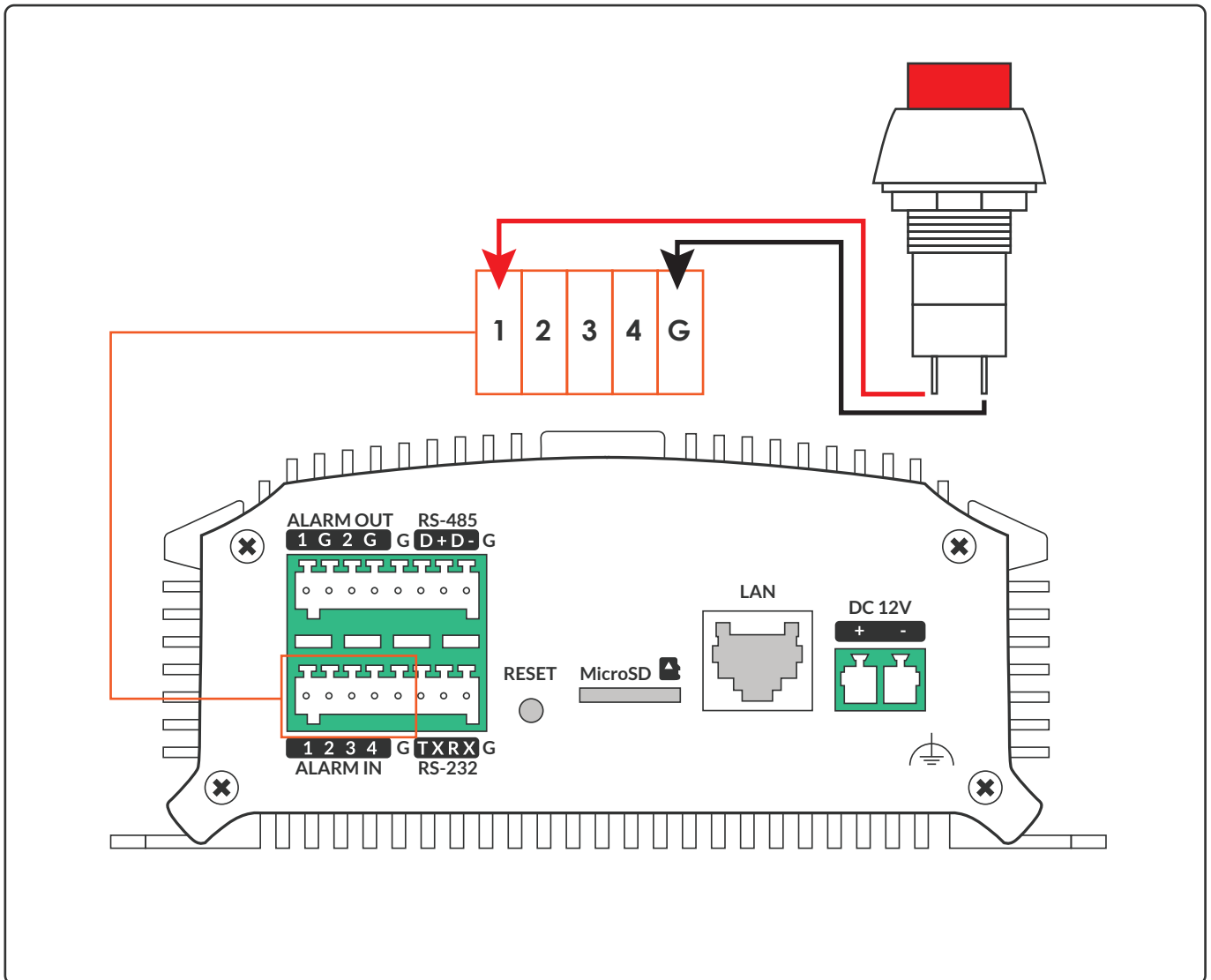
- BNC Connector connects to EYEVIDE 4 Video In camera port
- 3.5mm Audio Jack connects camera with audio to EYEVIDE 4 Line In Port.

Some EYEVIDE 4 models will have green pin connector for audio instead of 3.5mm Jack which connect to EYEVIDE 4 Audio In Port. (See Audio Section for further details)

- Red Wire: 12V Power input. Connect to 12V Output from Ignition Timer. See Diagram D.

- Black Wire: Ground. Grounds from cameras, EYEVIDE 4 and EYENET can be shared and connected directly to the metal body of the vehicle.

IO Sensor / Panic Button

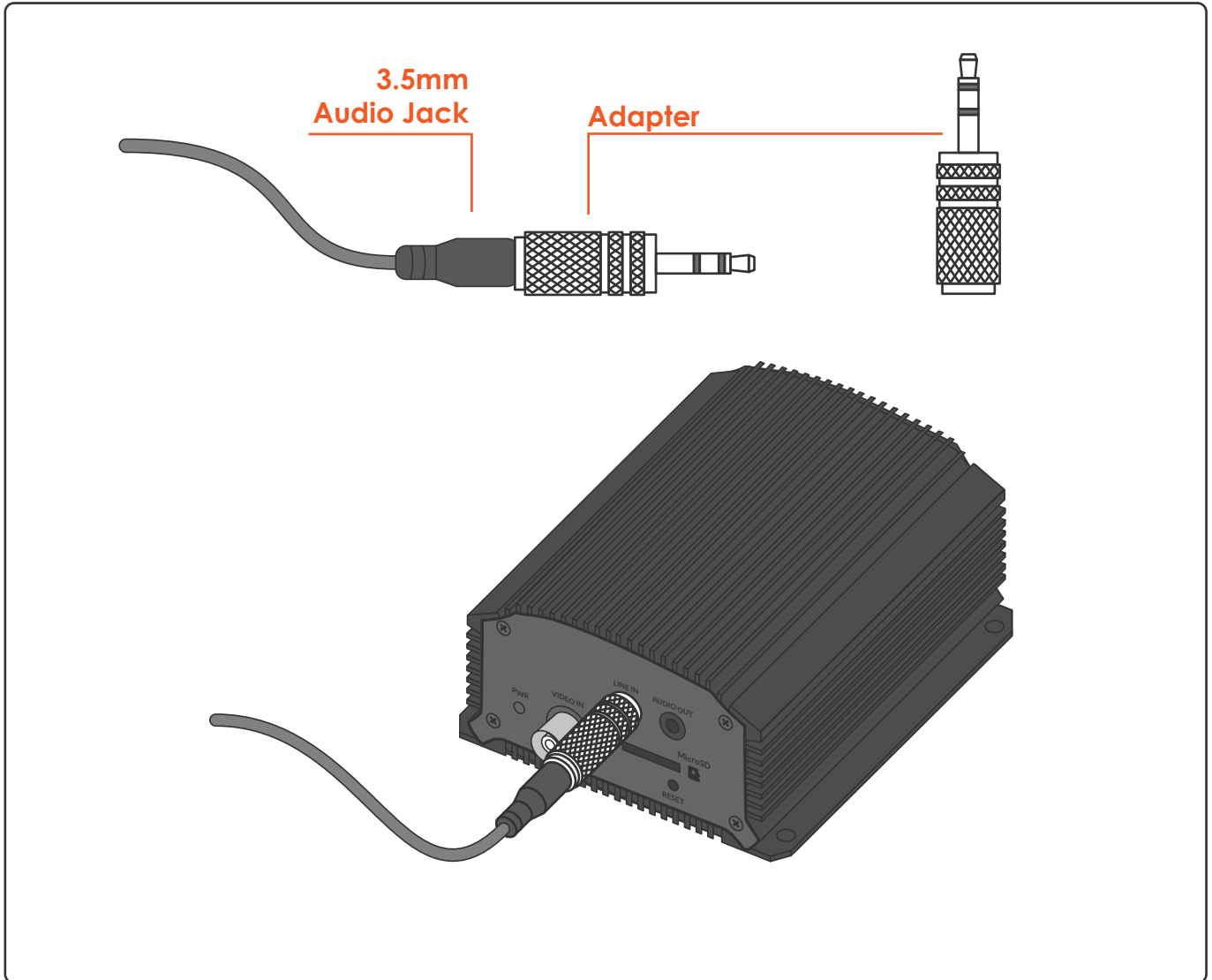


EYEVIDE 4 supports up to 4 input sensors. IO Sensors are connected to the ALARM IN slot on the bottom left of the EYEVIDE 4. The 1st sensor is wired to 1 and G (Ground). A *Panic Button*, for instance, typically doesn't require a power source. If the sensor does require a power source, it will need to get power from the 12V Output on the ignition timer.

The 2nd sensor is connected to 2 and G, the 3rd to 3 and G and the 4th to 4 and G. When the panic button is pushed the circuit between 1 and G is completed and the EYEVIDE 4 detects this as a sensor trigger event.

Audio - One Channel EYEVIDE 4

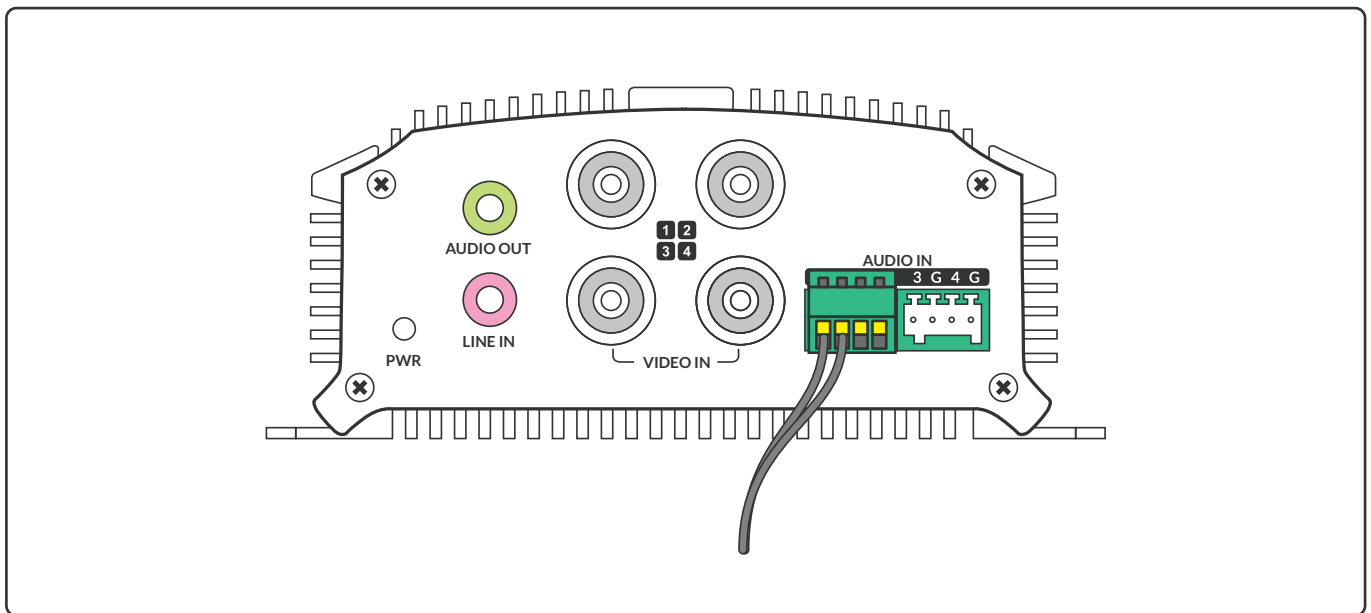
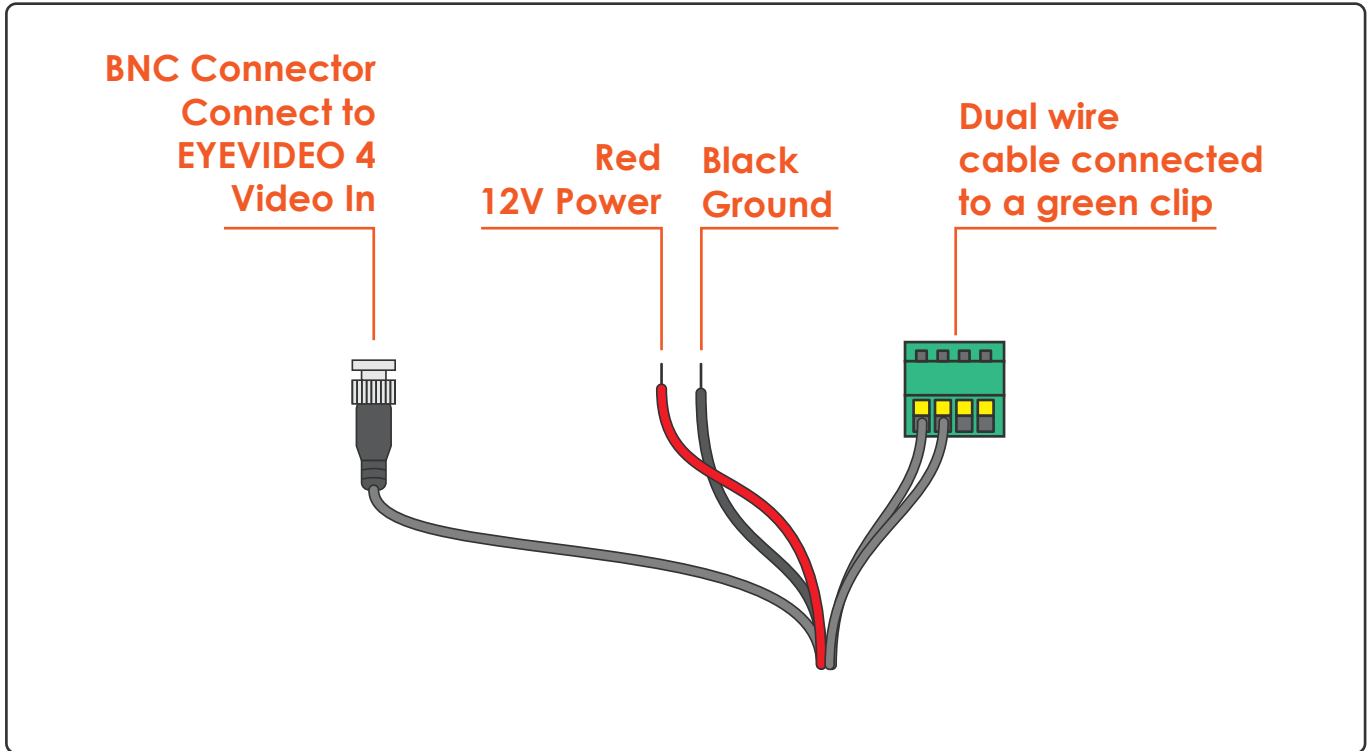
Audio Jack from camera cable connects to adapter and then to EYEVIDE 4 **Line In** port.



Audio - Four Channel EYEVIDE 4

A slight modification is needed to connect audio to some 4 channel EYEVIDE 4 models.

Audio jack is replaced with a dual wire cable connected to a green clip. This green clip connects to the EYEVIDE 4 Audio In port.



Please contact EYERIDE Tech Support with any questions you have regarding installation.

1-833-EYERIDE

Support@EyeRideOnline.com